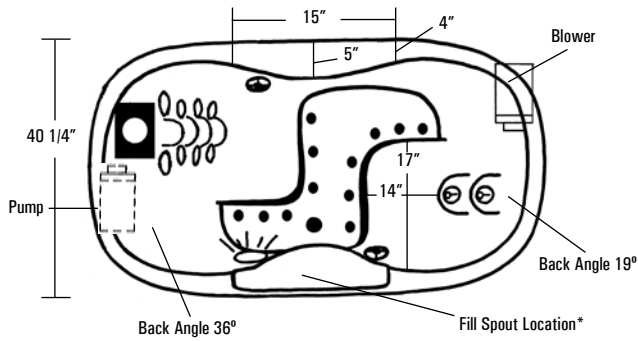


INFINITY 7

AQUATIC

INFINITY SERIES MODEL # AI7INF7242

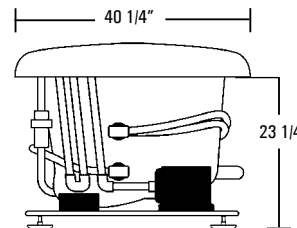
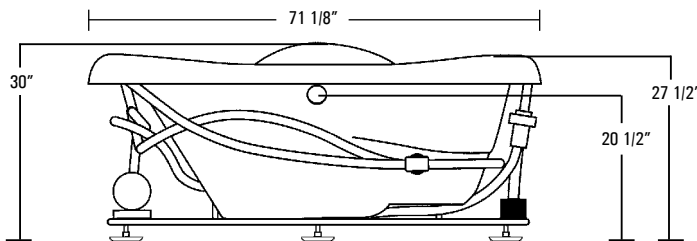
SHIP IT NOW! MODEL



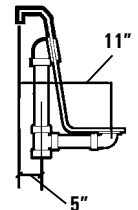
No alternate pump location available.



*Available without fast-fill waterfall spout.



Rough-In Plumbing Measurements



SPECIFICATIONS:

GENERAL SPECIFICATIONS:

Tub Size	71 1/8" x 40 1/4" x 30"
	181 cm x 102 cm x 76 cm
Bathing Well	40" long
	25 1/2" wide
	27 1/2" interior depth
Maximum Water Depth	17 3/4"
Shipping Weight	406 lbs. / 184 kg
Tub Weight Filled	1318 lbs. / 599 kg
Weight w/Equipment	206 lbs. / 93 kg
Gallons to Overflow	134 gal. / 507 L
Gallons to Operate	1 bather: 96 gal. / 363 L
	2 bathers: 80 gal. / 302 L

ELECTRICAL SPECIFICATIONS:

Pump	2 HP; 12 AMP; 110V
Inline Heater	1.5 kW; 12.5 AMP; 110V
Requirement	1-15 AMP 2 pole, separate circuit required protected with Class A GFCI
Blower	1 HP; 10.5 AMP; 110V
Requirement	1-15 AMP 1 pole, separate circuit required protected with Class A GFCI

This whirlpool will need to be hard wired to the breaker box. Three outlets will be supplied on the whirlpool.

This unit is not recommended for shower installations.

This unit has a 3/4" female waterfall fill spout connection.

STANDARD EQUIPMENT:

- 16 Hydrotherapy Jets including:**
- 12 Shiatsu Back Jets
 - 2 Full Size Pressure-Flo Hydrotherapy Jets
 - 2 Recessed Rotary Massage Jets
- Air Bath System:**
- 1 HP Variable Speed Air Blower with 20-Minute Timer
 - Electronic Control Panel
 - Automatic Purge and Dry Cycle
 - 600 Watt Air Heating System
- Aquatic Quality Features:**
- 2 HP Run-Dry Pump
 - 1.5 kW Inline Maintenance Heater
 - "Quiet Pad" Anti-Vibration Pump Mount for Quiet Pump Operation
 - Shiatsu Electronic Control Panel with Preprogrammed Jet Sequencer
 - Bath-Side Electronic Control Panel with Temperature Display
 - Pulsating Neck Jet Pillow
 - 2 Reclining Lounge Seats
 - Integrally Molded Fast-Fill Waterfall Spout/Optional
 - please specify on order (valves not included)
 - Chromatherapy
 - Slip Resistant Floor
 - Adjusta-Level Base
 - Heat-bent Rigid PVC Piping for Optimum Sanitary Conditions
 - Durable, Easy to Clean, Lucite® Cast Acrylic Surface
 - Available in 8 Standard No-Charge Colors
- UL & IAPMO Listed, Factory Tested**
Limited Lifetime Warranty

OPTIONAL EQUIPMENT:

- Available without fast-fill waterfall spout
 - See Price List for Details
- Comfort Pillow -- Oval or Rectangle
- Bolt-On Grab Bar
 - White, Biscuit, Chrome, Polished Brass, Satin Nickel, Polished Nickel, Oil Rubbed Bronze or Gold
- Jet Finish
 - Chrome, Polished Brass, Gold, Polished Nickel or Satin Nickel
- Lift & Turn Waste and Overflow
 - Chrome, Polished Brass, Gold, Polished Nickel, Satin Nickel or Oil Rubbed Bronze
- Cable Drive Waste and Overflow
 - Chrome, Polished Brass, Gold, Polished Nickel, Satin Nickel, Oil Rubbed Bronze or Color Matched (Bone, White and Biscuit Only)
- Hand Held Jet - Chrome or Polished Brass
- Premium Colors

All acrylic colors featured by Aquatic match the industry's leading fixture manufacturers.

Fax-On-Demand Document # 1164



The manufacturer accepts a 1/4" variance. There are variations on each tub and specifications are subject to change as we improve upon our product as required. The dimensions needed for site preparation and structure building should be measured from the tub; Aquatic Industries, Inc. assumes no responsibility for preparatory work. www.aquaticwhirlpools.com 800.555.5324