



JEWEL - Roman Tub Filler JWRMxxHML

Description

- 3pc Roman Tub faucet
- Ceramic disc cartridges
- 3/4" S.S. braided hose
- 18 GPM @ 80 PSI

Standards

- ASME A112.18.1 Compliant
- Listed IAPMO / UPC & CUPC
- ADA Accessibility Guidelines for Buildings and Facilities - 4.27.4 Controls and Mechanisms (lever handle only)
- NSF - 61-9 tested and approved
- CSA B125.1 Compliant and listed



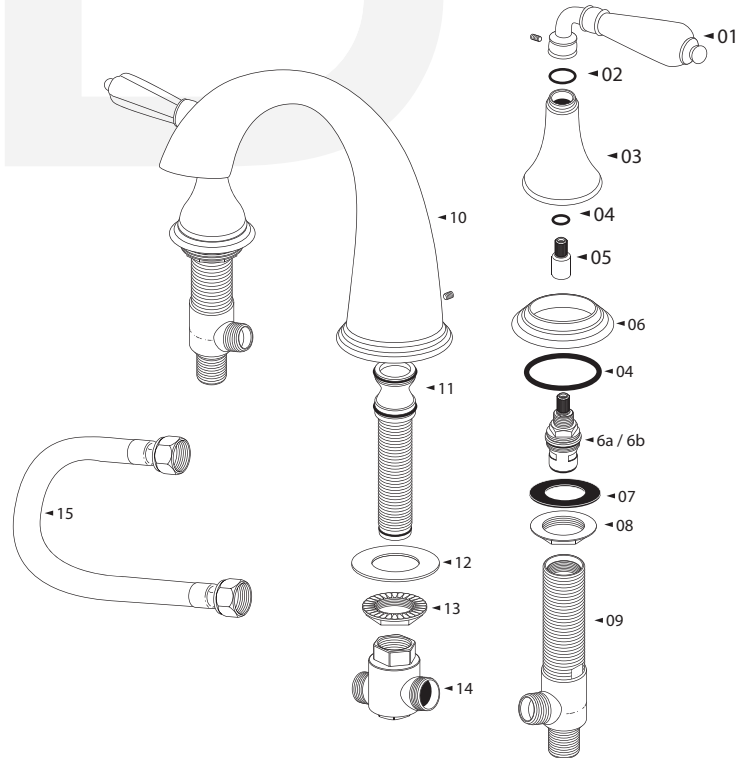
Colors / FinishES

- | | |
|---------------------|----------------------------|
| 01 - Chrome | 29 - Polished Nickel |
| 12 - Satin Nickel | 70 - Polished Brass (PVD) |
| 20 - Antique Bronze | 71 - Polished Nickel (PVD) |
| 21 - Antique Brass | 72 - Satin Nickel (PVD) |
| 22 - Antique nickel | 73 - Satin Brass (PVD) |
| 23 - Antique Copper | |
| 24 - Satin Copper | |
| 27 - Matte Nickel | |
| 28 - ORB | |

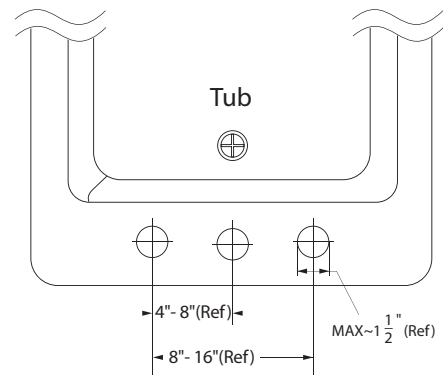
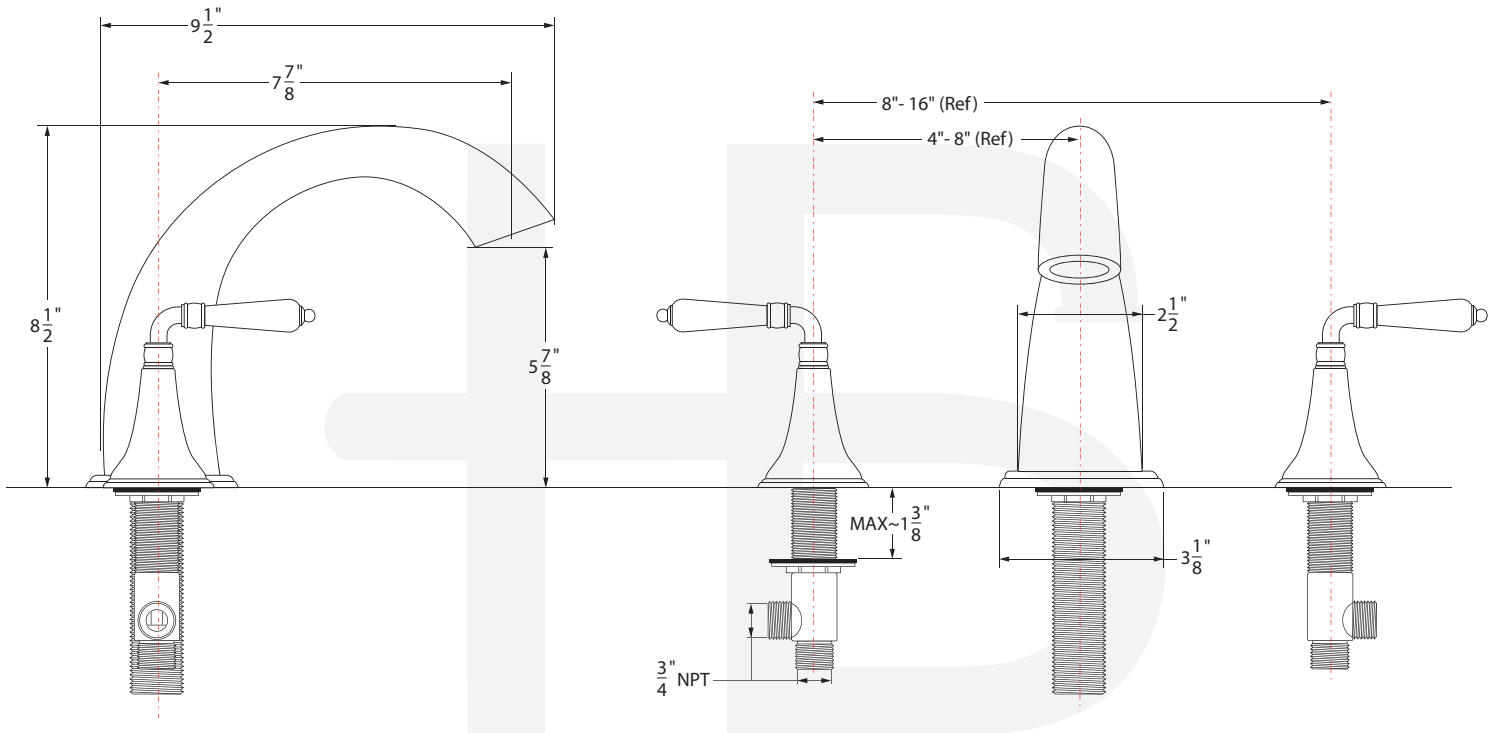
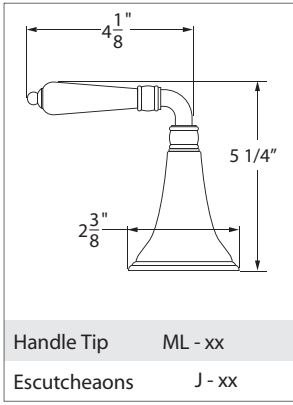
Please add finish code when placing order for parts with using following finish code table. For example J handle in Chrome will be BJ-01, BJ-12 for Satin Nickel.

BREAK DOWN Component Parts List

| # | PART NAME | QTY |
|----|---------------------|-----|
| 1 | JEWEL LEVER HANDLE | 2 |
| 2 | LARGE WASHER | 2 |
| 3 | ESCUTCHEON | 2 |
| 4 | SMALL WASHER | 2 |
| 5 | SPACER / ADAPTER | 2 |
| 6 | FLANGE | 2 |
| 5 | RUBBER RING | 2 |
| 6a | CARTRIDGE (COLD) | 1 |
| 6b | CARTRIDGE (HOT) | 1 |
| 7 | WASHER | 2 |
| 8 | LOCK NUT | 2 |
| 9 | VALVE BODY | 1 |
| 10 | SPOUT | 1 |
| 11 | QUICK CONNECT SHANK | 1 |
| 12 | WASHER | 1 |
| 13 | LOCK NUT | 1 |
| 14 | T-CONNECTOR | 1 |
| 15 | HOSE | 2 |



SPECIFIED MODEL - Handle Option



| Item Number | Type | Date |
|-------------|-----------|----------|
| JWRMxxHML | Roman Tub | 10-30-09 |