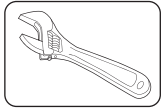


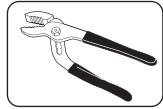


JWCSxxJML, JWCSxxJPL - 4" center Set

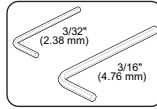
Tools You Will Need



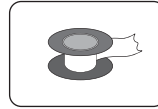
Adjustable Wrench



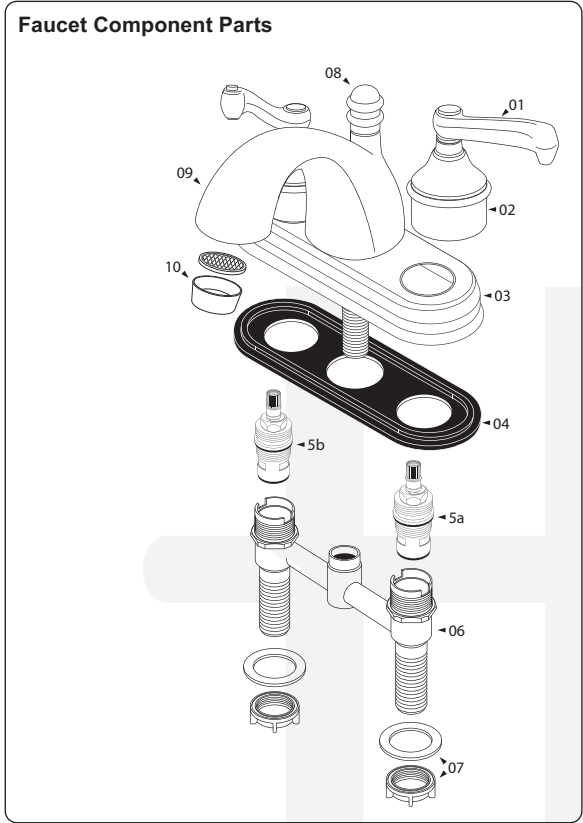
Groove joint plier



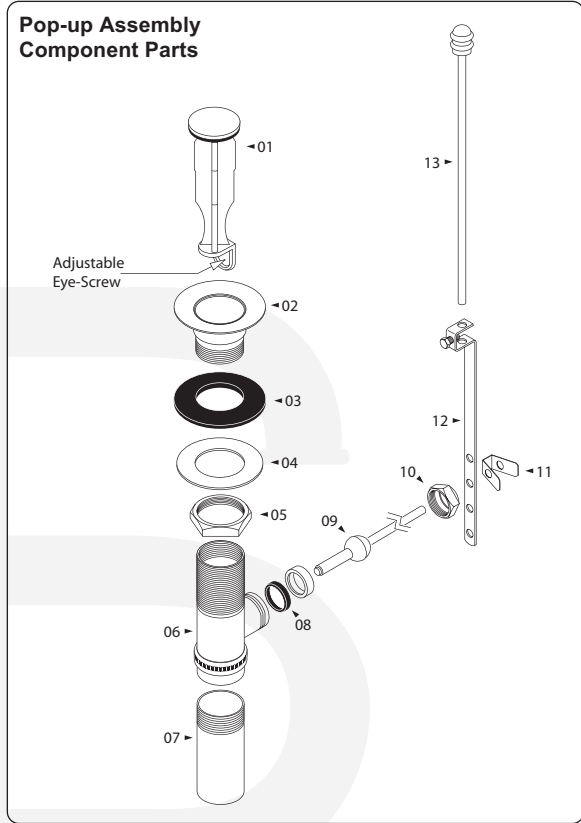
Allen Wrench



Pipe Tape



| # | PART NAME | QTY |
|----|--------------------|-----|
| 1 | HANDLE TIP | 2 |
| 2 | HANDLE BASE | 2 |
| 3 | DECK PLATE | 1 |
| 4 | PULLY PLATE | 1 |
| 5a | CARTRIDGE (COLD) | 1 |
| 5b | CARTRIDGE (HOT) | 1 |
| 6 | BRASS VALVE BODY | 1 |
| 7 | WING NUT / WASHER | 1 |
| 8 | POP-UP ROD | 1 |
| 9 | SPOUT | 1 |
| 10 | AERATOR | 1 |



| # | PART NAME | QTY |
|----|----------------------|-----|
| 1 | STOPPER | 1 |
| 2 | DRAIN COLLAR UNIT | 1 |
| 3 | RUBBER WASHER | 1 |
| 4 | WASHER | 1 |
| 5 | LOCK NUT | 1 |
| 6 | DRAIN ELBOW UNIT | 1 |
| 7 | DRAIN TAILPIECE | 1 |
| 8 | BALL JOINT WASHER | 1 |
| 9 | BALL ROD | 1 |
| 10 | CAP NUT | 1 |
| 11 | LOCKING SPRING CLIP | 1 |
| 12 | HODE ROD STRAP | 1 |
| 13 | LIFT ROD / LIFT KNOB | 1 |



4" Center Set Lavatory Faucet - Installation Instructions

1. Install Faucet :

Remove wing nuts from threaded shanks and insert faucet through holes in sink or counter top. Re-attach the two wing nuts on the bottom, align the faucet, and tighten firmly from below.

2. Install Pop-up assembly :

Separate drain collar from pop-up assembly.

Apply silicon caulking to underside of drain collar. **NOTE: Use of anything other than silicon caulking, such as plumbers putty as this will VOID the finish warranty.** Or use rubber washer if supplied.

Insert drain body from underside through sink. Slowly screw on drain collar, align with ball rod hole facing back wall, then gently pull down into sink and firmly tighten brass nut from below keeping rubber washer aligned while tightening.

Remove tailpiece from drain body and apply Teflon tape, approx. 3 to 5 wraps around threads and re-install into bottom of drain body.

Insert stopper in collar and hold with eye-screw hole facing back. If necessary, adjust stopper eye screw height by loosening lock nut and rotating counter-clockwise. Tighten lock nut

Fit cone washer and nut to ball rod.

Insert ball rod into drain body below so short end of ball rod end fits in stopper eye-screw hole (See Fig A). Be sure that the two ball joint plastic washers are on both sides of the ball rod when installing. Screw on ball rod nut (do not over tighten). Ball rod must move up & down freely

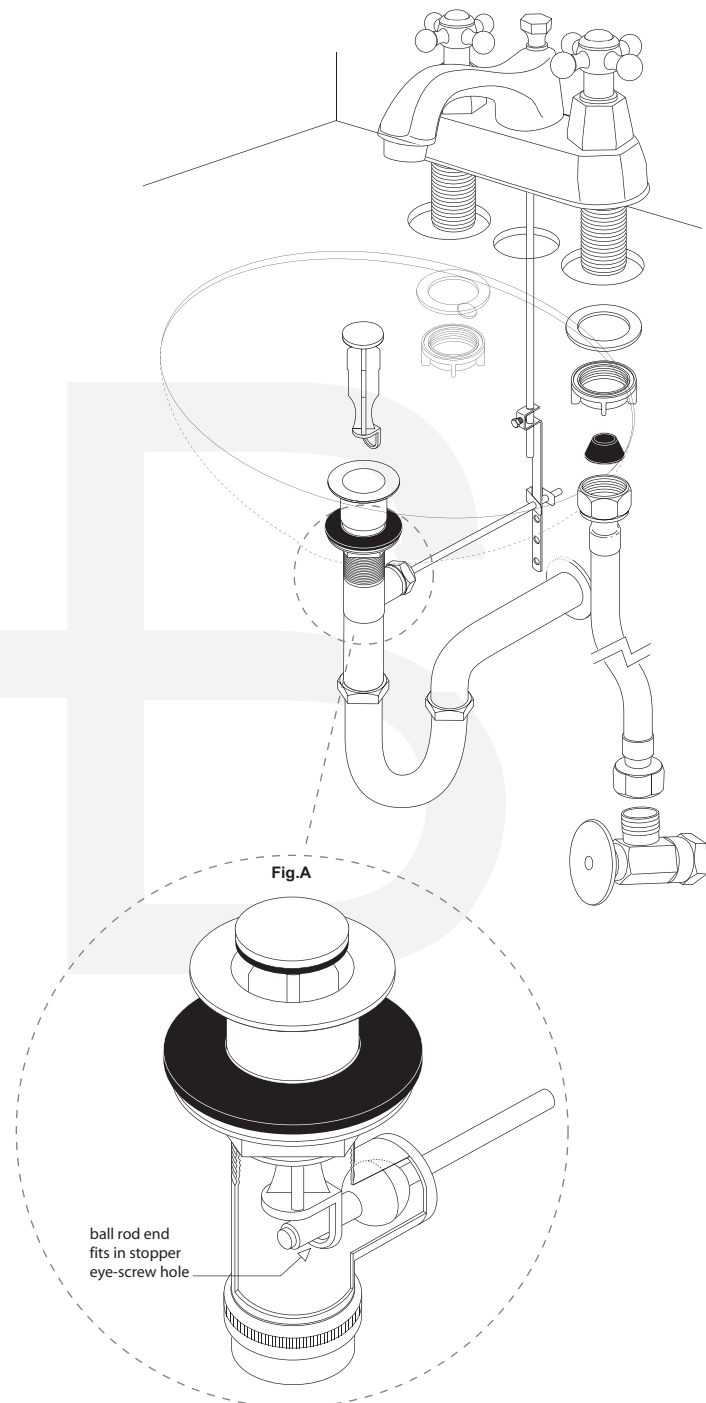
Insert lift rod through top of spout and then through hole rod strap underneath sink. Tighten thumb-screw of hole rod strap underneath sink. Tighten thumb-screw of hole rod strap against lift rod and connect to ball rod by gently pinching locking spring clip and sliding one side of spring clip off ball rod.

Insert hole strap onto ball rod, then reattach locking spring clip.

3. Connect faucet to water supply :

IMPORTANT : Flush supply lines of all debris prior to connecting to lavatory valve bodies. Debris remaining in the line will damage valve bodies and cause leaking. Failure to flush the lines could result in voiding the warranty.

Connect supply risers from the angle stops to the bottom of the hot and cold valve openings.



11100 Dana Circle Cypress, CA 90630
Tel : 800-888-6604 | Fax : 888-455-5007
www.huntingtonbrass.com