



# WINDSOR - Wide Spread Faucet WDWSxxWDL / WBL / WBX

## Description

- 8" wide spread faucet
- Ceramic disc cartridges
- Solid brass construction
- 1/2" S.S. braided hose
- Brass popup

## Standards

- ASME A112.18.1 Compliant
- Listed IAPMO / UPC & CUPC
- ADA Accessibility Guidelines for Buildings and Facilities - 4.27.4 Controls and Mechanisms (lever handle only)
- NSF - 61-9 tested and approved
- CSA B125.1 Compliant and listed



## Colors / FinishES

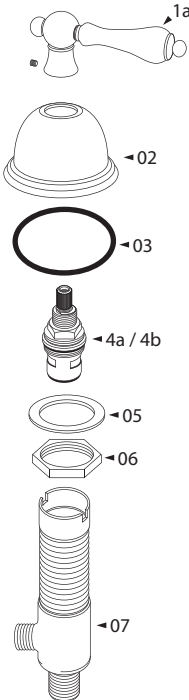
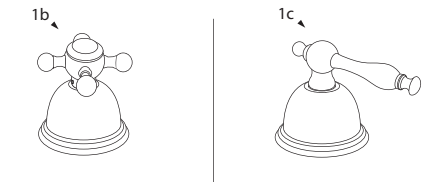
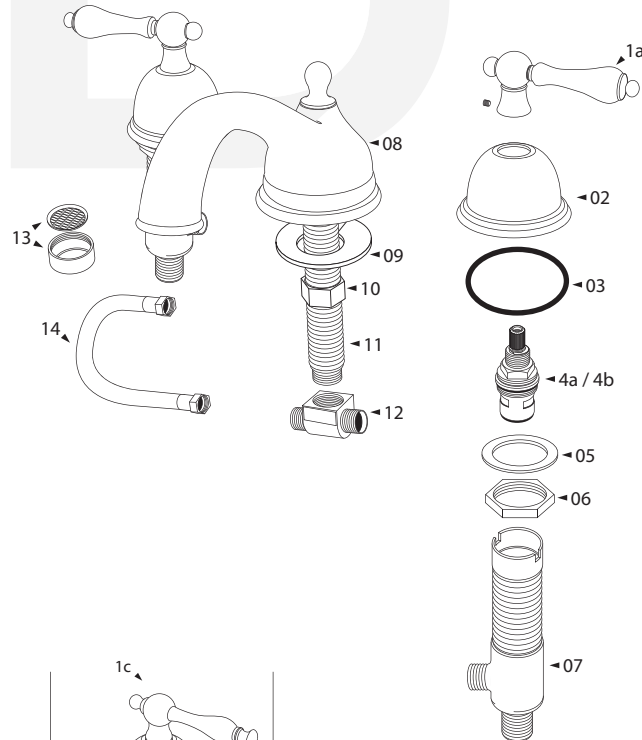
- |                     |                            |
|---------------------|----------------------------|
| 01 - Chrome         | 29 - Polished Nickel       |
| 12 - Satin Nickel   | 70 - Polished Brass (PVD)  |
| 20 - Antique Bronze | 71 - Polished Nickel (PVD) |
| 21 - Antique Brass  | 72 - Satin Nickel (PVD)    |
| 22 - Antique nickel | 73 - Satin Brass (PVD)     |
| 23 - Antique Copper |                            |
| 24 - Satin Copper   |                            |
| 27 - Matte Nickel   |                            |
| 28 - ORB            |                            |

Please add finish code when placing order for parts with using following finish code table. For example J handle in Chrome will be BJ-01, BJ-12 for Satin Nickel.

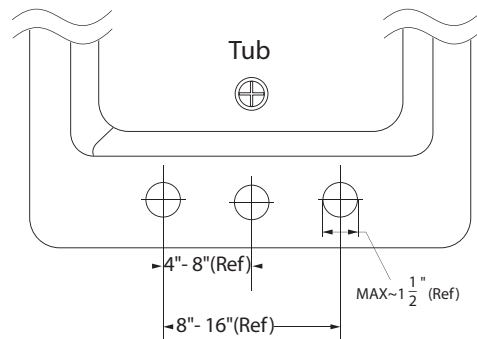
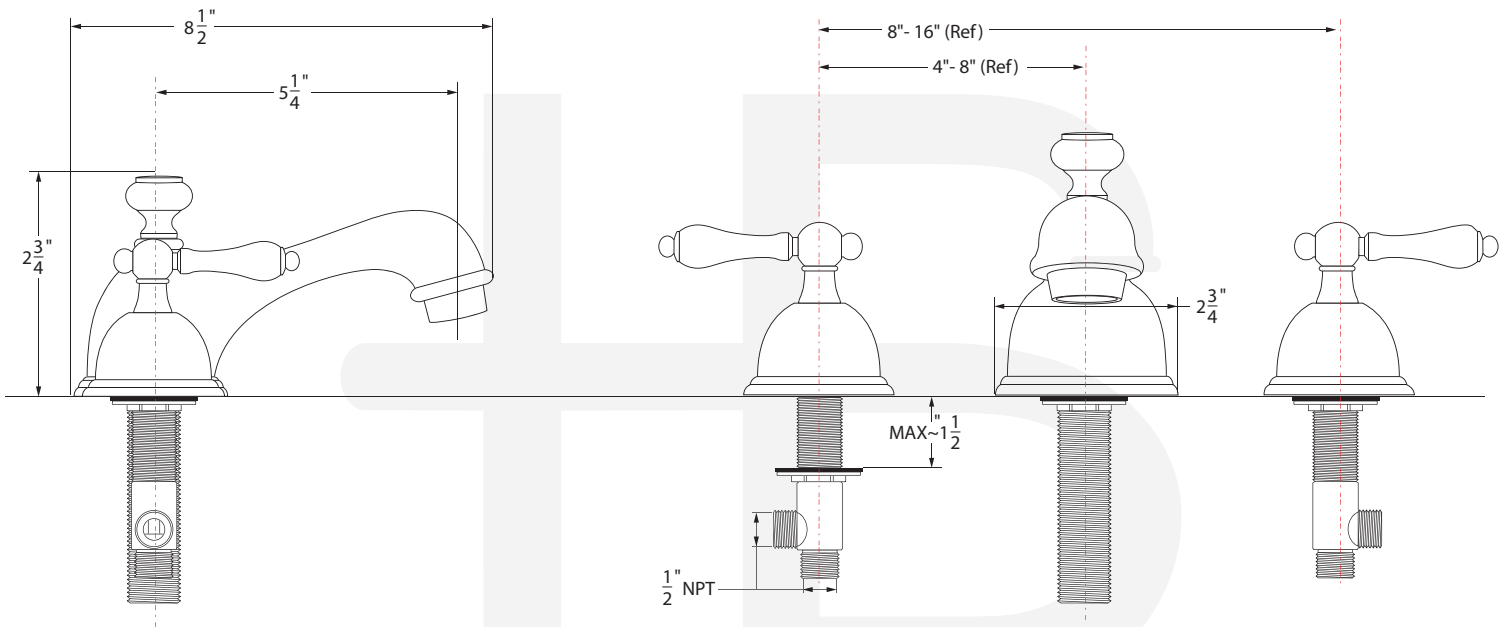
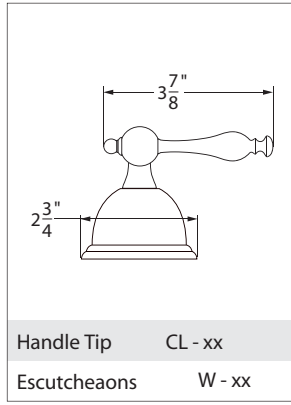
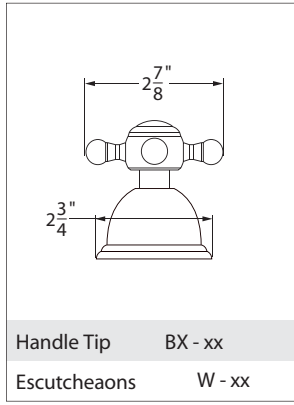
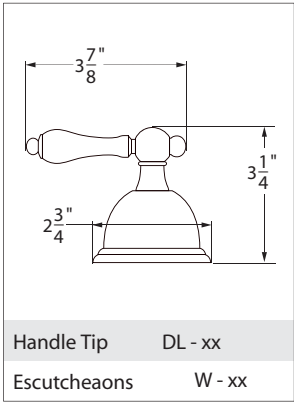
Special Handle & Escutcheon Option  
WDL / WBL / WBX

## BREAK DOWN Component Parts List

#	PART NAME	QTY
1a	LEVER HANDLE	2
1b	LEVER HANDLE	2
1c	CROSS HANDLE	2
2	ESCUTCHEON	2
3	RUBBER RING	2
4a	CARTRIDGE (COLD)	1
4b	CARTRIDGE (HOT)	1
5	WASHER	2
6	LOCK NUT	2
7	VALVE BODY	1
8	SPOUT	1
9	WASHER	1
10	LOCK NUT	1
11	QUICK CONNECT SHANK	1
12	T-CONNECTOR	1
13	xx	1
14	HOSE	2



# SPECIFIED MODEL - Handle Option



Item Number	Type	Date
WDWS	Wide Spread	07/29/2005