

### BATH WHIRLPOOL WITH HEATER K-1357-H

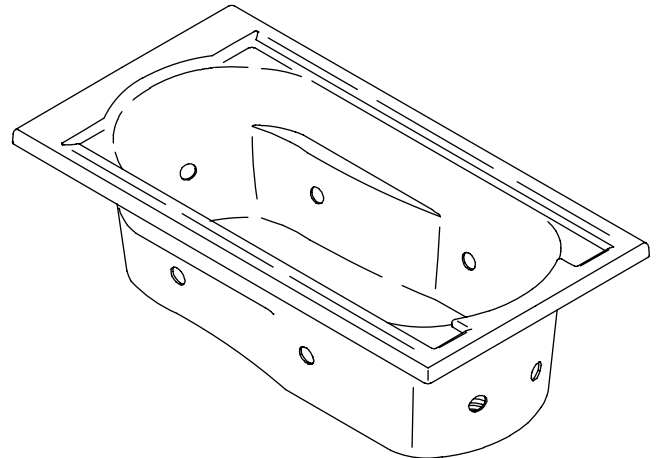
#### Features

- Acrylic
- 8 Kohler jets, color matched
- Pump with air switch and grounding-type plug-in cord
- In-line heater
- Textured bottom surface
- Optional K-1717 timer kit
- 60" (152.4 cm) x 32" (81.3 cm) x 20" (50.8 cm)

#### Codes/Standards Applicable

Specified model meets or exceeds the following:

- ANSI Z124.1.2
- ASME A112.19.7M
- UL 1795



#### Colors/Finishes

- 0: White
- Other: Refer to Price Book for additional colors/finishes

#### Accessories

- 0: White
- CP: Polished Chrome
- PB: Polished Brass
- NA: None applicable
- Other: Refer to Price Book for additional colors/finishes

#### Specified Model

Model	Description	Colors/Finishes	
K-1357-H	Bath whirlpool with heater	<input type="checkbox"/> 0	<input type="checkbox"/> Other_____

Recommended Accessories			
K-7161-AF	Adjustable pop-up bath drain	<input type="checkbox"/> CP	<input type="checkbox"/> PB <input type="checkbox"/> Other_____
K-7213	Clearflo bath cable drain with PVC tubing	<input type="checkbox"/> CP	<input type="checkbox"/> Other_____
K-7214	Clearflo bath cable drain without PVC tubing	<input type="checkbox"/> CP	<input type="checkbox"/> Other_____

Optional Accessories			
K-1491	Pillow	<input type="checkbox"/> 0	<input type="checkbox"/> Other_____
K-1601	Footstop	<input type="checkbox"/> 0	<input type="checkbox"/> Other_____
K-1717	20-minute timer kit		<input type="checkbox"/> NA

#### Product Specification

The acrylic bath whirlpool shall be 60" (152.4 cm) in length, 32" (81.3 cm) in width, and 20" (50.8 cm) in height. Product shall have 8 color-matched Kohler jets, a pump with air switch and grounding-type plug-in cord, and an in-line heater. Product shall have a textured bottom surface. Product shall have an optional K-1717 timer kit. Bath whirlpool shall be Kohler Model K-1357-H-\_\_\_\_\_.

# DEVONSHIRE®

## Technical Information

Fixture*:	
Bathing well:	
Basin area, bottom	42" (106.7 cm) x 20" (50.8 cm)
Basin area, top	51" (129.5 cm) x 24" (61 cm)
Weight	145 lbs (65.8 kg)
To overflow:	
Water depth	14" (35.6 cm)
Capacity	60 gal (227.1 L)
* Approximate measurements for comparison only.	

Pump:	V	Hz	A	
1-speed	120	60	7	
Heater:	kW	V	Hz	A
	1.5	120	60	12.5

## Required Electrical Service

Two dedicated circuits required, each protected with Class A Ground-Fault Circuit-Interrupter (GFCI):	
Pump/control	120 V, 15 A, 60 Hz
Heater	120 V, 15 A, 60 Hz
Locate the outlets behind the whirlpool and within 24" (61 cm) of the pump and heater.	

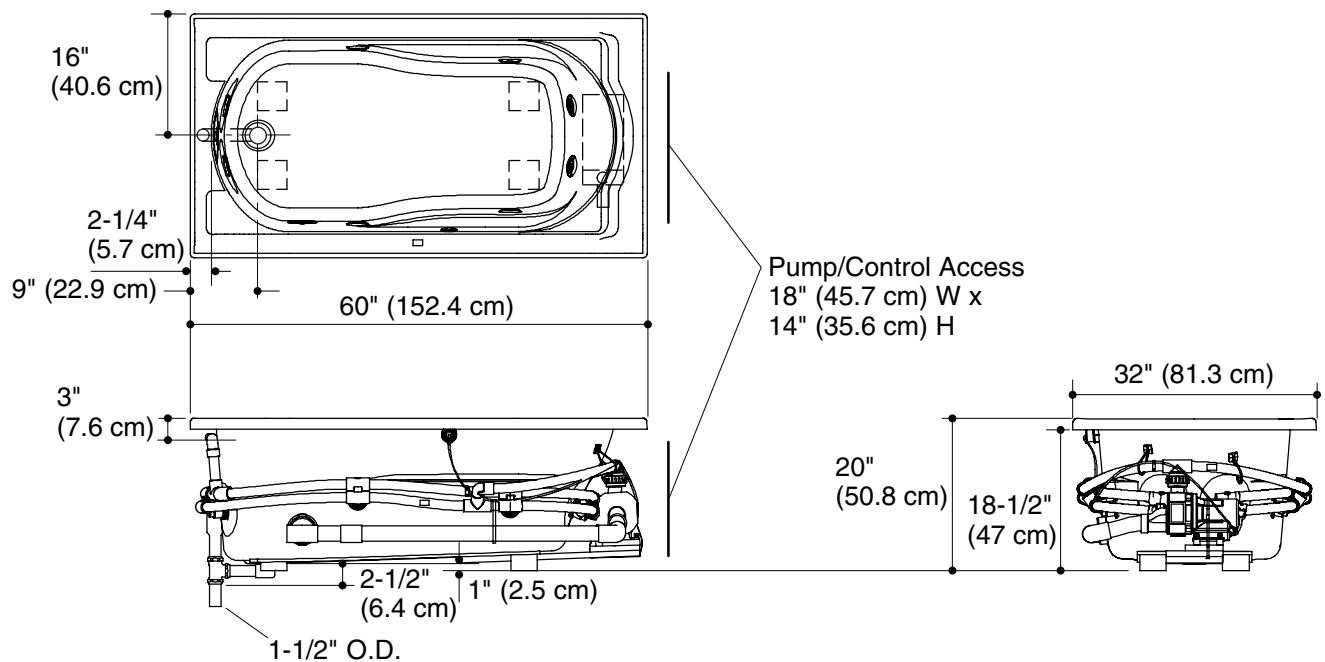
## Installation Notes

Install this product according to the installation guide.

Floor support under whirlpool must provide for a minimum of 50 lbs/square foot (245.6 kg/square meter) loading.

No change in measurements if connected with drain illustrated. (K-7161-AF or K-7161M-AF)

**K-1357-H**



## Product Diagram