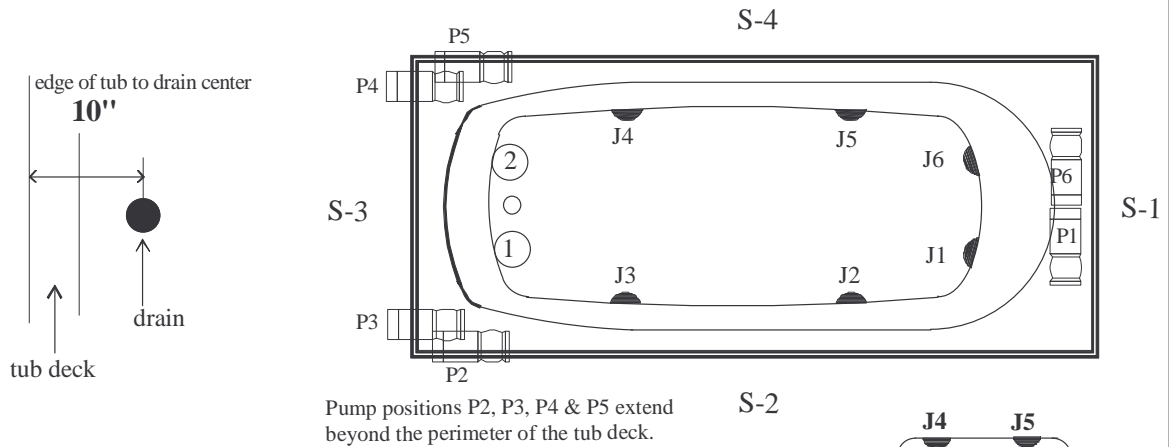
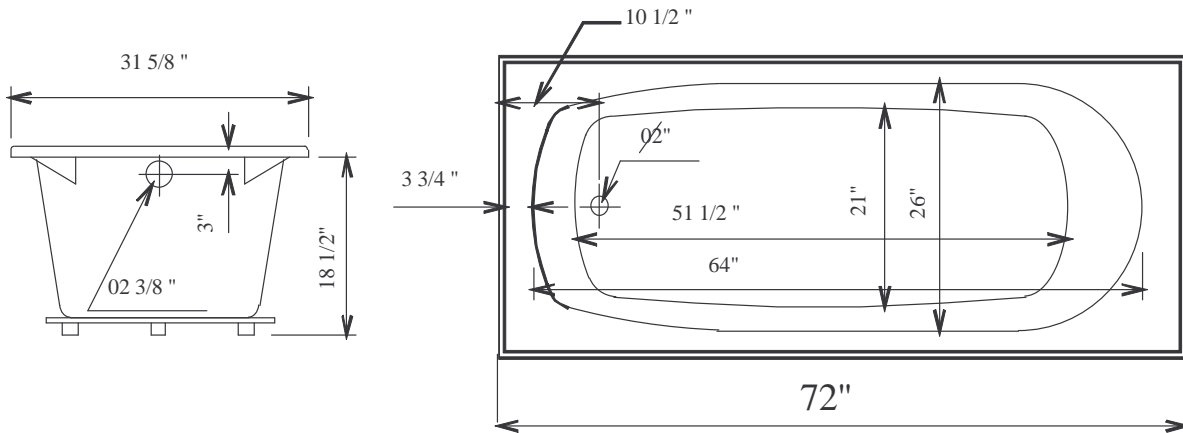


trajet SPECIFICATIONS

SANTIAGO #7231



Deluxe--1.25 HP Pump, 6 Jets

Ultimate--1.5 HP Pump, 8 Jets, Electronic Control, Mood Light

Jets are placed two on each side

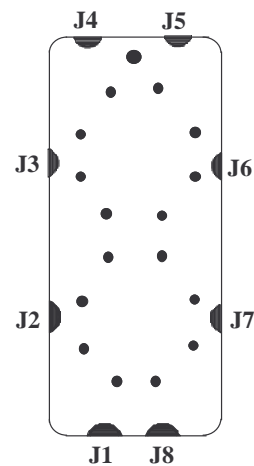
Air System-- 120v Blower, 16 Air Jets, Electronic control

Air jets are placed on bottom of tub in figure 8

pattern. If tub equipped with Air System Add 1.5" to tub height

Combo Systems:

Blower will be placed same side as pump opposite end



70 Min - 85 Max Gallon Capacity

If tub is ordered with skirt only pump positions 1 & 6 are available.

Dimensional Variance +/- 1/2"

Suggested Pump Access Panel:

20" Long x 12" High



ADJUSTABLE JET

4

OPTIONAL JET

MOTOR/PUMP

S-1

SIDE IDENTIFICATION